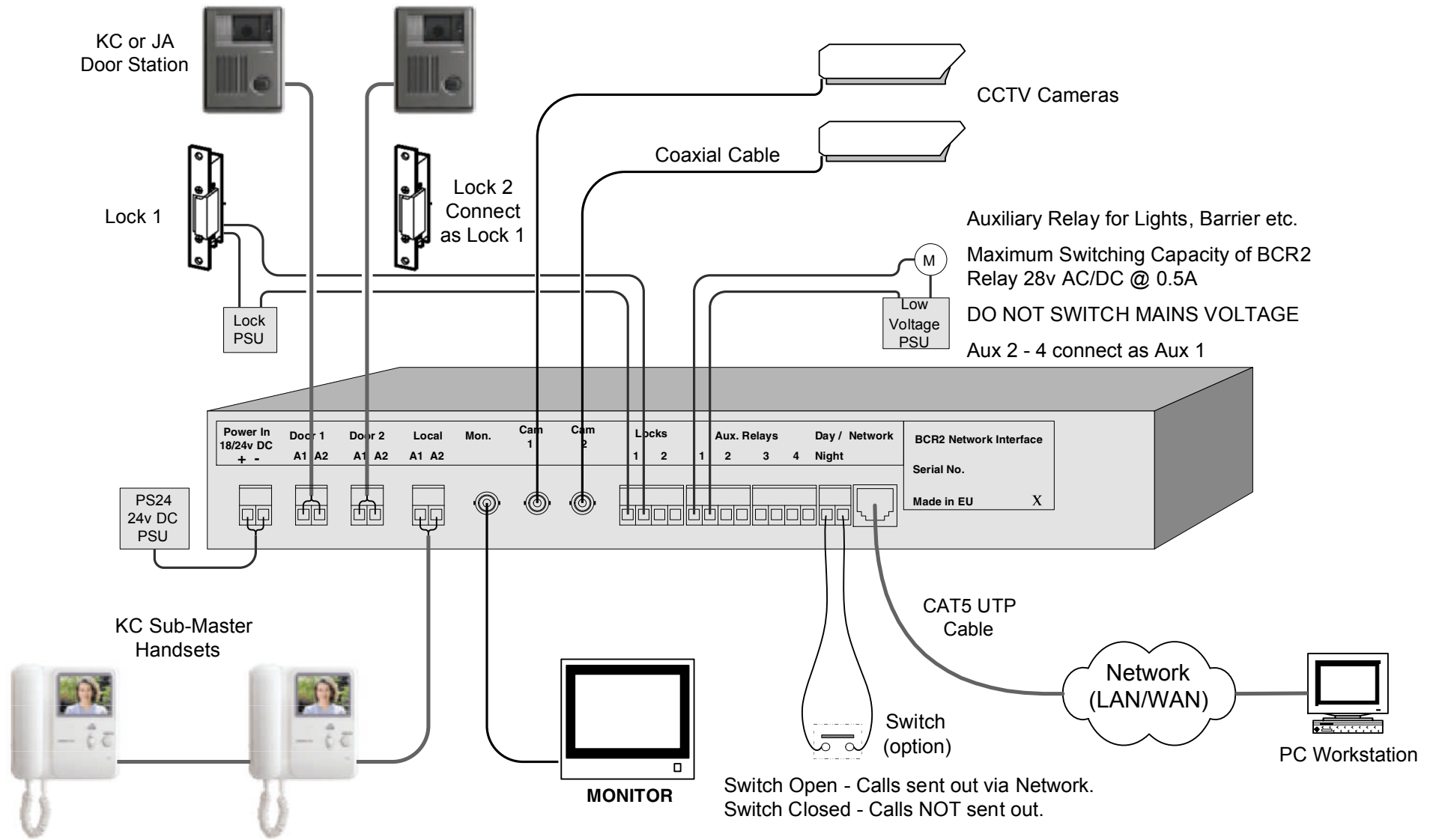


bcR2 Connection Guide



Use Relay or TimeSwitch for automatic Day/Night operation.

Relay or TimeSwitch MUST have Voltage-Free Contacts.