

JK-DVF



JK-DV



JK-DA



GT-2C-L



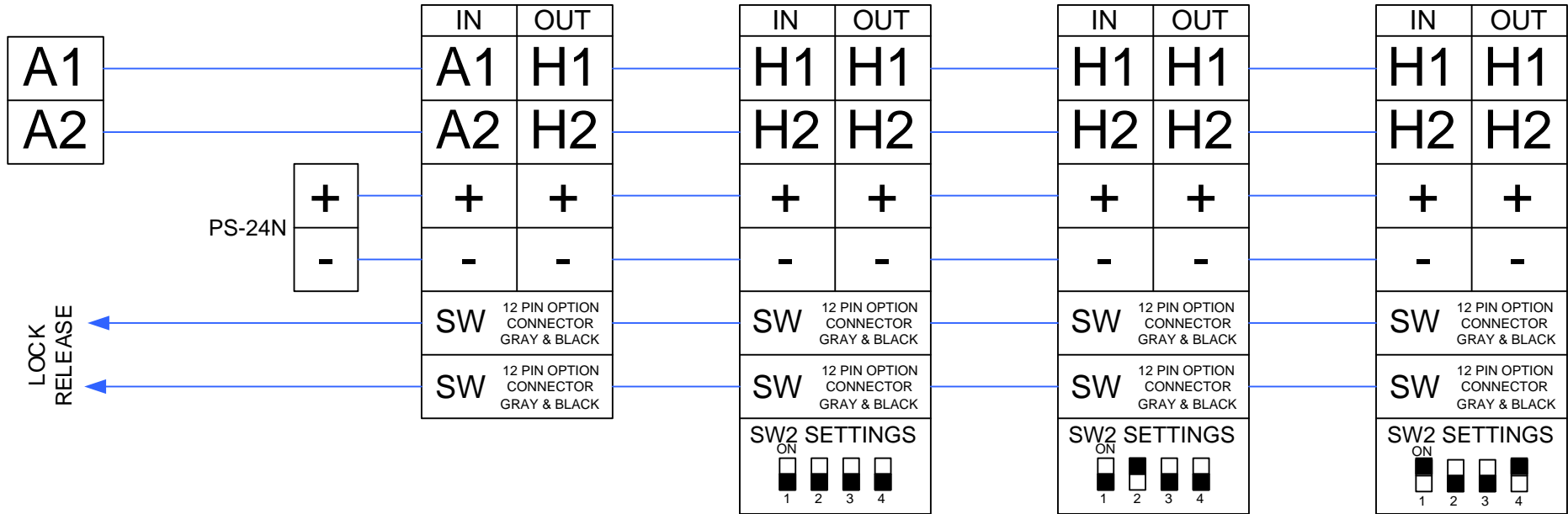
GT-2H-L





GT-2H-L



GT-2H-L



← MAXIMUM DISTANCE = 100m USING C4-PE CABLE → ← MAXIMUM DISTANCE OF 100M USING C4-PE. PLEASE NOTE THAT THE LOCK RELEASE PAIR (SW) REQUIRES A SEPARATE CABLE. →

 <p>BC TECHNOLOGY LTD BCTEC HOUSE WALLIS CLOSE PARK FARM IND EST WELLINGBOROUGH NN8 6AG TEL: 01933 405050 FAX: 01933 405454</p>	TITLE:  JK Series Call Point to 4 x GT-2 Monitors		CUSTOMER REF: JK Calling GT Monitors		DRAWING REF: JK Series Calling GT Series Monitors	
	DATE: 15/07/11	CABLE TYPE: C4-PE Cable + Separate pair for lock		MAXIMUM DISTANCE: Camera to Master = 100M Master to Furthest Sub = 100M		PG: 1 OF 1
	DRAWN BY: Sales Support		DESCRIPTION: Wiring diagram showing a JK series call point working with four GT-2 type monitors as a standalone system.			