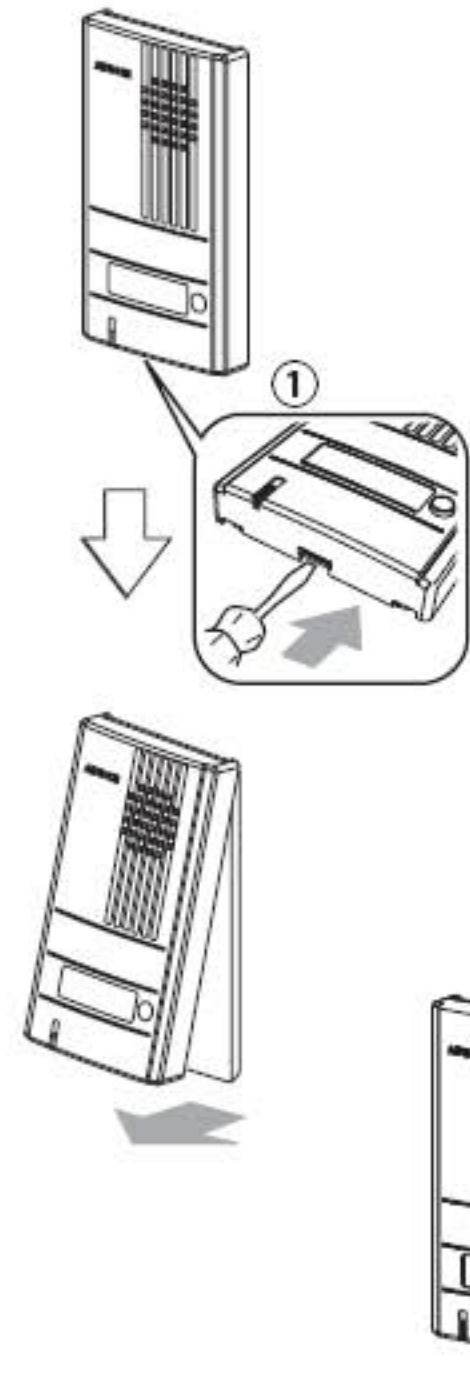
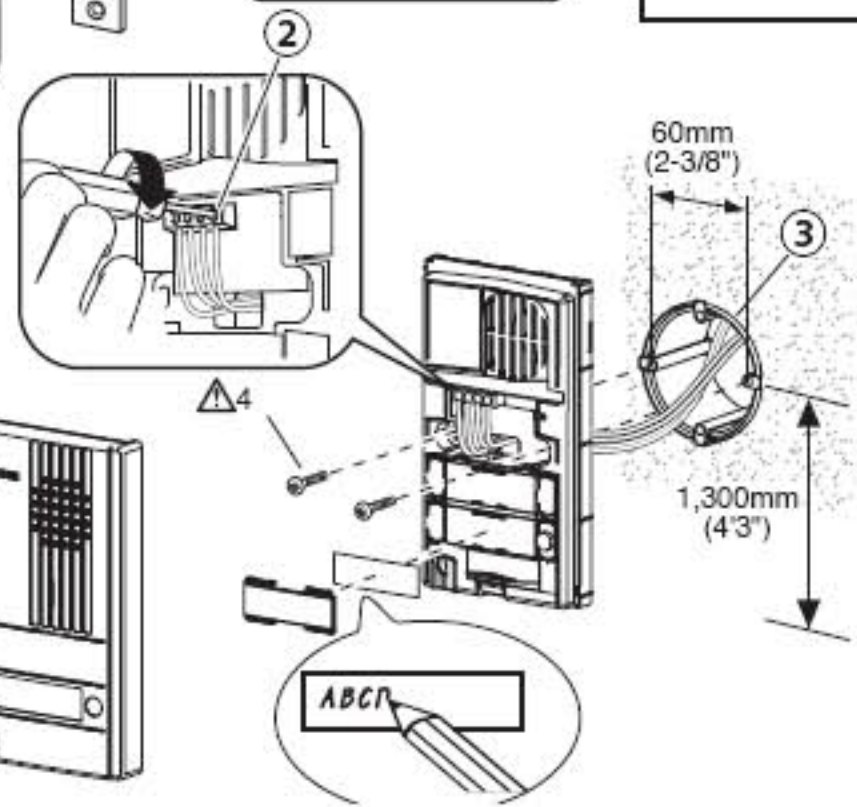
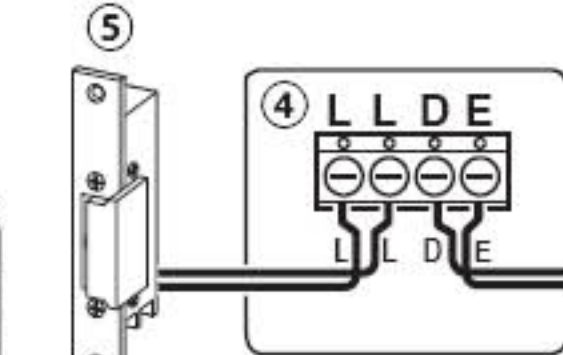
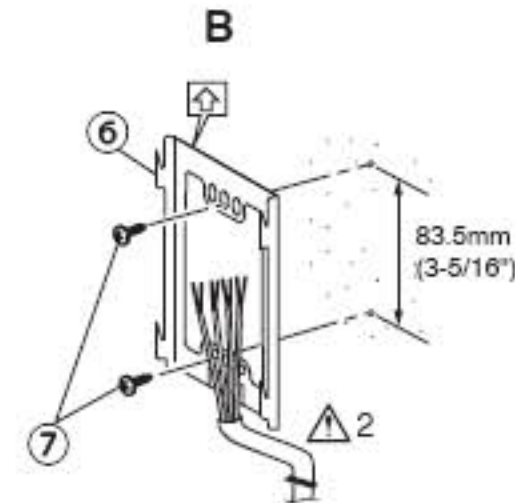
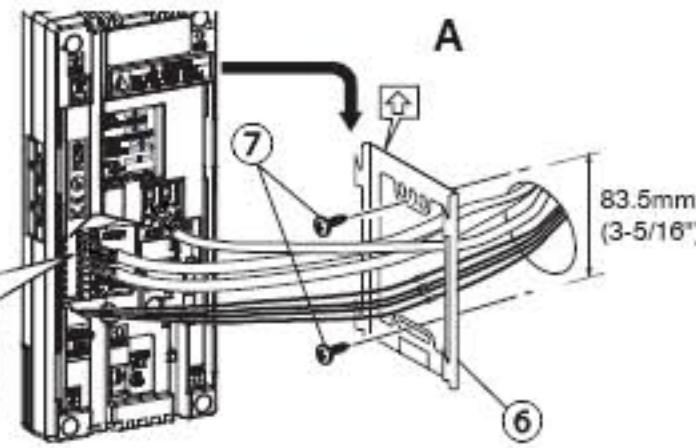
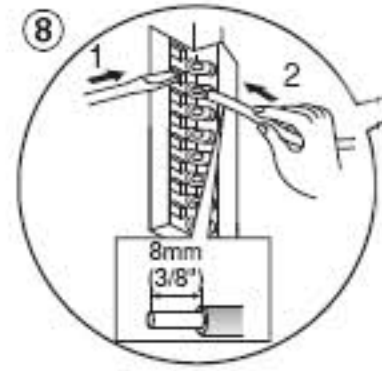
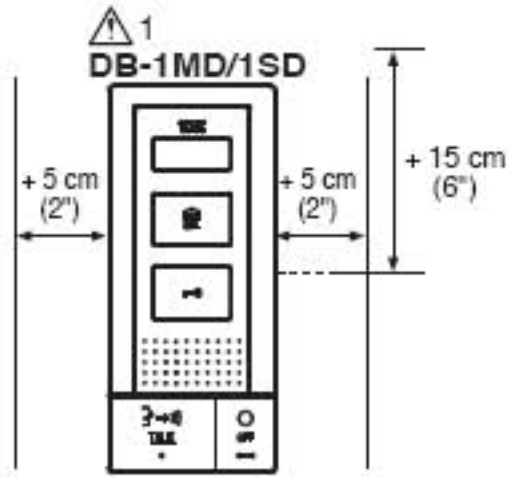


DA-1DS

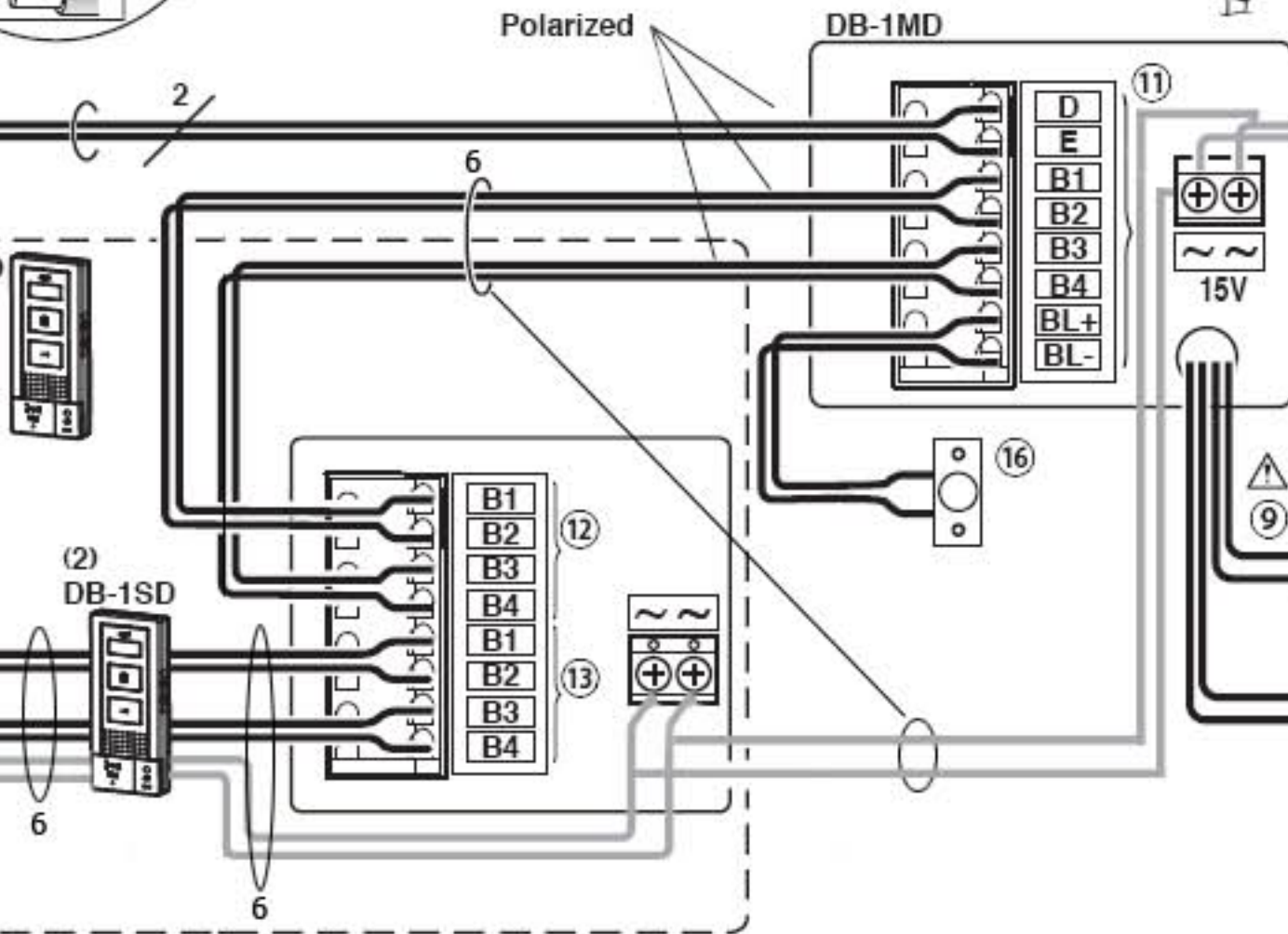
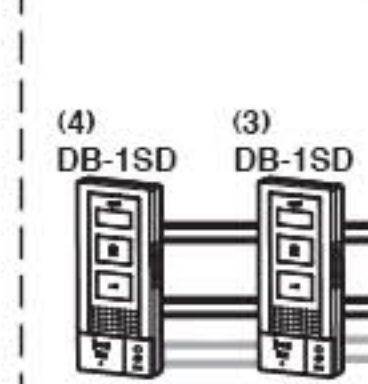
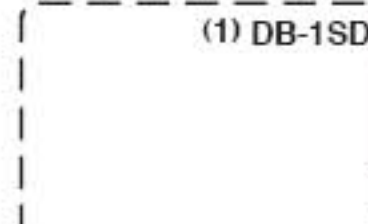


2 wires: between power supply - control panel - outside station - lock contact
6 wires for extended system

DB-1MD DB-1SD

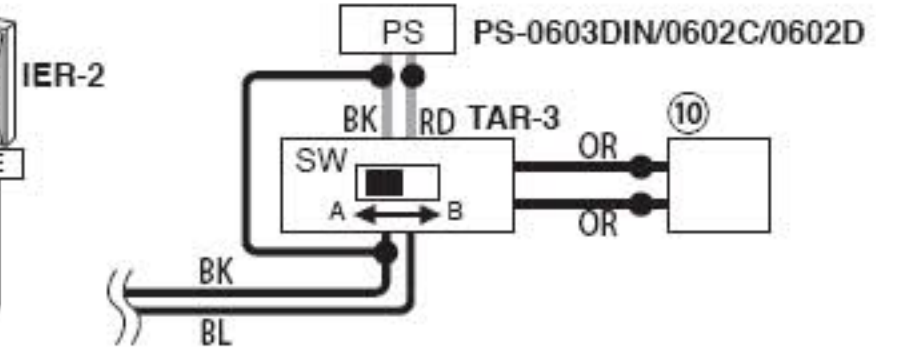
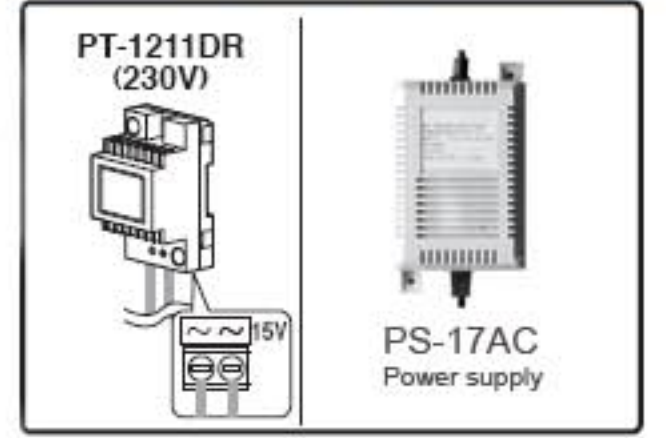


DB-1SD



PT-1211DR & PS-17AC PSU

15 V AC powered by PT-1211DR for 1-1 system
17.5V AC powered by PS-17AC for extended system ⑭



OR: Orange
YE: Yellow
BR: Brown
RD: Red
BK: Black
BL: Blue