

# Master / Sub Intercom

MASTER 1 SUB 120 NEM



COMMERCIAL & INSTITUTIONAL APPLICATION SYSTEM

COMMERCIAL & INSTITUTIONAL APPLICATION SYSTEM

### Master station

**NEM-10/C** 10-call master  
**NEM-20/C** 20-call master  
**NEM-30/C** 30-call master  
**NEM-40/C** 40-call master

**NEM-10A/C** 10-call master  
**NEM-20A/C** 20-call master  
**NEM-30A/C** 30-call master  
**NEM-40A/C** 40-call master

**Power supply**  
**PS-2420DIN PS-2420S** → P.100

### Sub station

**NB-L** Ceiling sub station  
**NA-NE** Sub station  
**NE-JA** Flush sub station  
**NA-A** Sub station  
**NA-AN** Privacy sub station

### Lineup

**NAR-6A** Call button  
**NB-U** Music adaptor → P.95  
**NBR-7AS** Bathroom pullcord, moisture-resistant  
**NEW-5** Dual master call adaptor → P.96  
**IER-2** Call extension → P.97  
**NBJ-20** Call switching device for NEM-10/C, 20/C → P.95  
**NBJ-20B** Call switching device for NEM-10A/C, 20A/C → P.95  
**NBJ-40** Call switching device for NEM-30/C, 40/C → P.95  
**NBJ-40B** Call switching device for NEM-30A/C, 40A/C → P.95

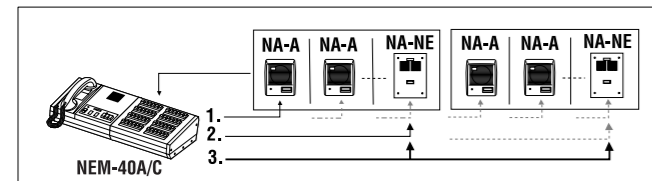
**NEM-50/7.A** 50-call master  
**NEM-60/7.A** 60-call master  
**NEM-70/7.A** 70-call master  
**NEM-80/7.A** 80-call master  
**NEM-90/7.A** 90-call master  
**NEM-100/7.A** 100-call master  
**NEM-110/7.A** 110-call master  
**NEM-120/7.A** 120-call master

**NEM-50A/7.A** 50-call master  
**NEM-60A/7.A** 60-call master  
**NEM-70A/7.A** 70-call master  
**NEM-80A/7.A** 80-call master  
**NEM-90A/7.A** 90-call master  
**NEM-100A/7.A** 100-call master  
**NEM-110A/7.A** 110-call master  
**NEM-120A/7.A** 120-call master

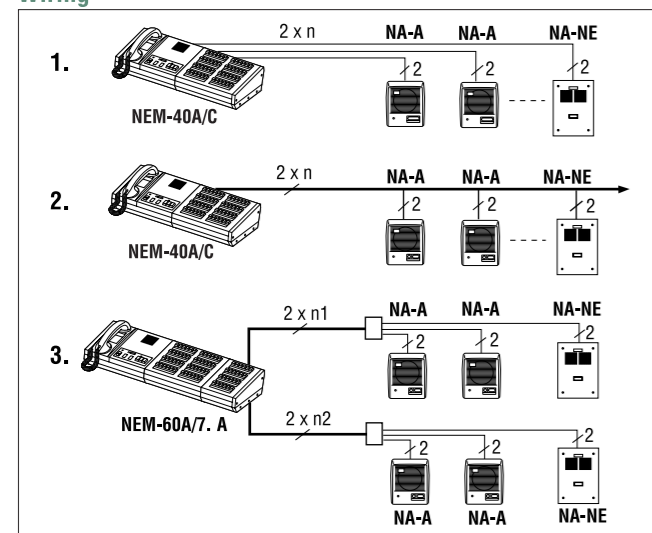
## Features

- Lamp memory intercom: Sub's call-in with tone & light
- Press-to-talk or handset with voice actuation
- Selective or group call of 10 subs
- All Call
- Pre-tone sounding at sub, when selected
- Optional accessories for health care applications
- Expand beyond 40 stations with add-on selectors

## Communication network

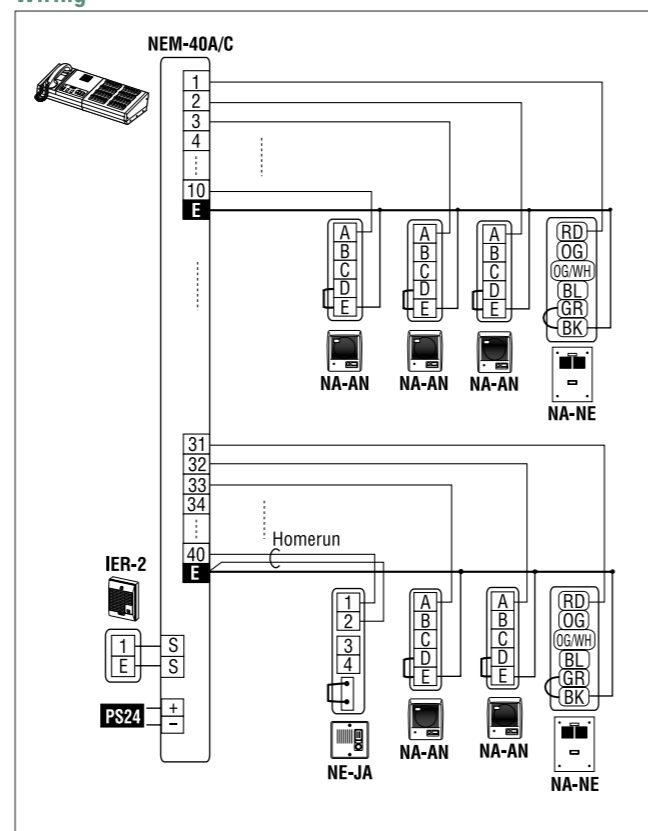


## Wiring



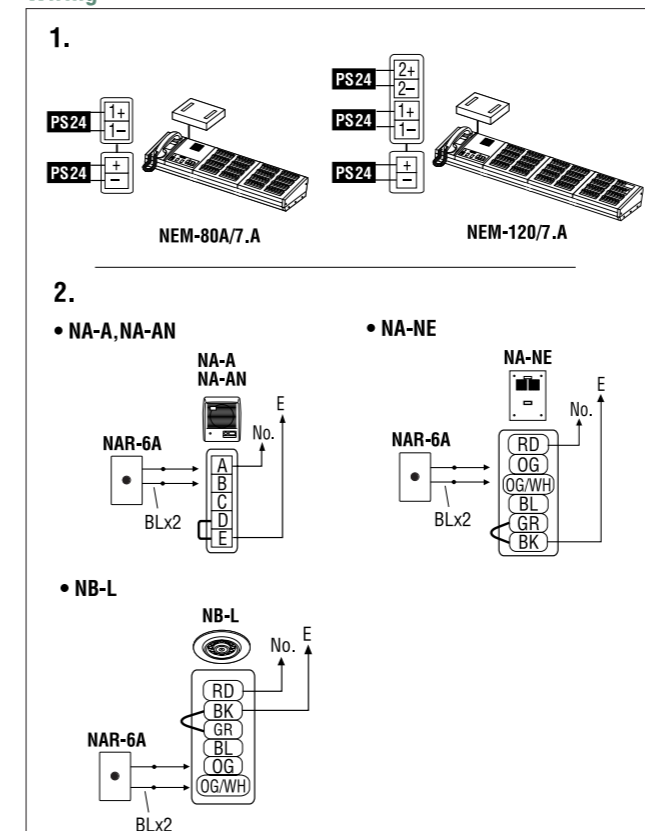
1. Run a parallel cable to each NA sub station (in the same conduit).
2. Run a multi-conductor cable(s) throughout system.
3. Run multi-conductor cables up to junction box, then run a parallel cable to each NA sub station.

## Wiring



PS24 : PS-2420DIN, PS-2420S  
RD: Red OG: Orange OG/WH: Orange/White BL: Blue GR: Green BK: Black  
IMPORTANT: For NE-JA sub(s), homerun wires to secure stable calling and distance of 270m w/1.0mma.

## Wiring



### 1. Power supply requirements

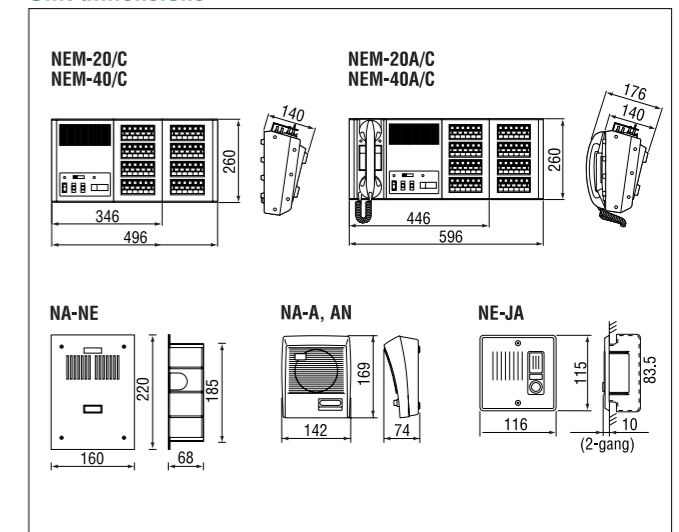
- One power supply for up to 40-call master
- Two power supplies for 50- to 80-call master
- Three power supplies for 80- to 120-call master

### 2. Adding call button to NA sub stations

RD : Red. BK : Black. GR : Green. BL : Blue. OG : Orange. OG/WH : Orange/White.

PS24 : PS2420DIN, PS-2420S

## Unit dimensions



## Specifications (NEM-40A/C)

Power source	24V DC, 45W max. 2.5W standby (NEM-40/C)
Power supply	PS-2410DIN, PS-2420DIN, PS-2420S (40-call)
Communication	Sub calls in w/tone & LED latching at master. Press TALK button to transmit, release to listen, or lift handset. At sub, pretone and voice when selected. Talk handsfree. Press ALL CALL button to activate all sub stations.
Output	500mW max., adjustable. All Call: 6W, 12W. Selectively up to 10 subs w/TALK: 3W
Wiring	2 wires per sub, non-twisted (1 common + no. Subs)
Distance	NEM to NA subs 130m(0.65mmø) 200m(0.8mmø)