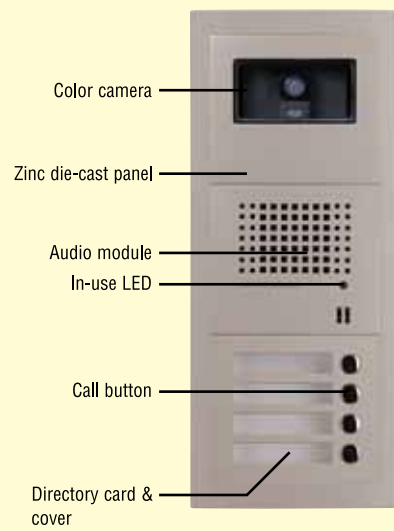


Handsfree Color Video Bus Apartment System

Entrance station

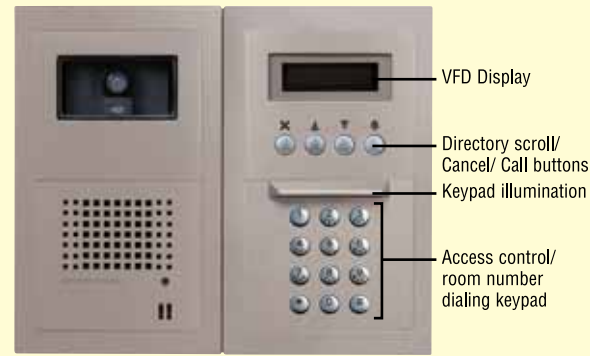
Direct-select call button



The directory button panels back-lit display illuminates resident's name or unit number

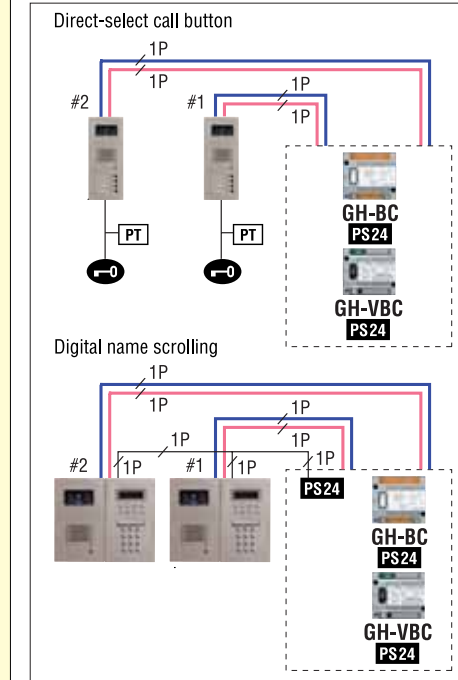


Digital name scrolling



- Searches of resident names and room number using the keypad
- Customer programmable welcome messages can also be shown in 5 different languages (English, French, German, Spanish & Dutch)
- White LED illuminator turns on in low-light conditions

System layout example



Specifications (GH-DA, GH-VA)

Wiring	Two single-pair cable common
Type of cable	2-conductor cable solid copper & non-braided, polyethylene insulation, 0.65mm dia.-1.0mm dia.
Mounting	Box and front frame GF-2B,3B and GF-2F,3F
Housing	Fire-retardant plastic

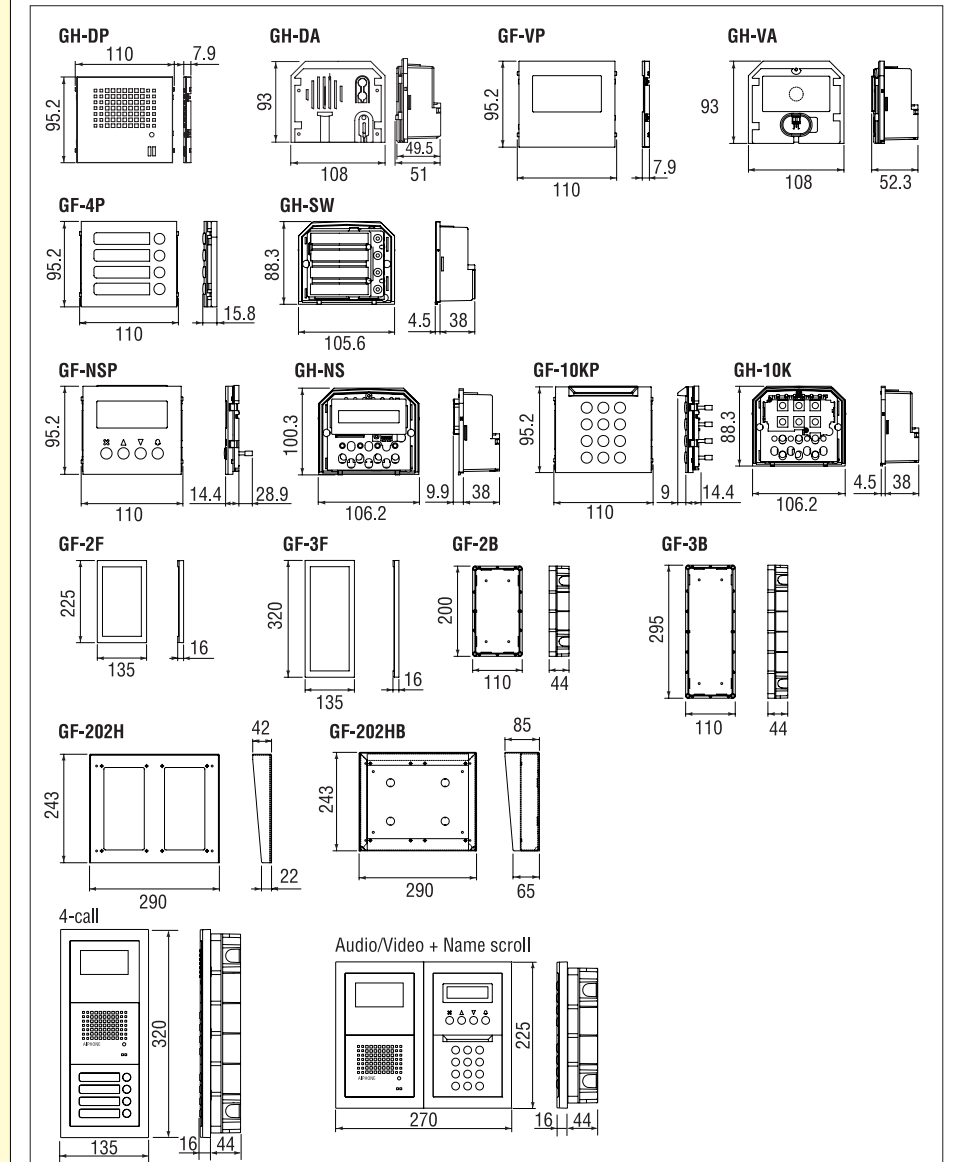
Specifications (GH-SW, GH-10K, GH-AD)

Lighting	Yellow LED
Housing	Fire-retardant plastic

Specifications (GH-NS)

Power source	DC 24V, supplied by PS-2410DIN
Housing	Fire-retardant plastic

Unit dimensions



Audio Module



GH-DP
Audio panel



GH-DA
Audio module

Digital name scrolling module

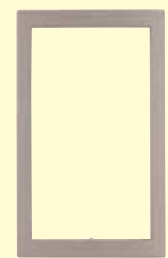


GF-NSP
Display module panel

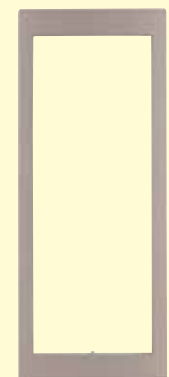


GH-NS
Digital name scroll display module

Front frame & back box



GF-2F
2-module front frame



GF-3F
3-module front frame



GF-nH
Rain hood



GF-nHB
Hooded surface-mount box



GF-2B
2-module back box



GF-3B
3-module back box



GF-C
80cm long connector

Camera Module



GF-VP
Camera panel



GH-VA
Camera module

Call switch Module



GF-1P
1-call panel



GF-2P
2-call panel



GF-3P
3-call panel



GF-4P
4-call panel



GH-SW
Call switch module

Option



GF-AP
Address panel



GH-AD
Address module



GF-BP
Blank panel

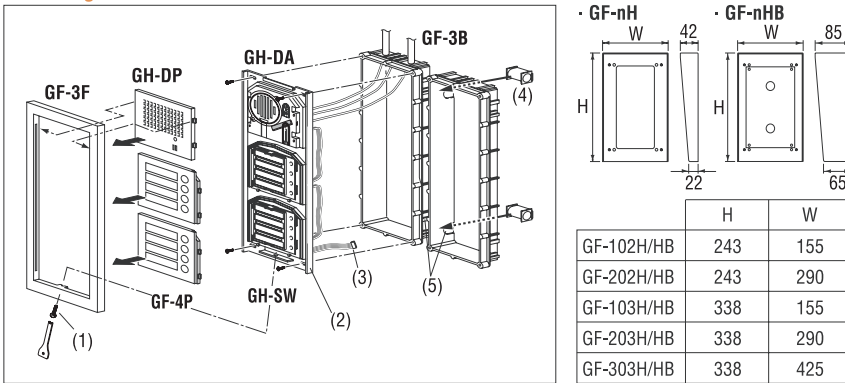
Handsfree Color Video Bus Apartment System

Entrance station components

Number of calling button		4.	8.	12.	16.	20.	24.	25~48.	GH-NS, GF-10K
(1)	GH-VA GF-VP	1 1	1 1	1 1	1 1	1 1	1 1	For more than 7 x GH-SW, install additional power supply & special device required. Contact local AIPHONE distributor	1 1
(2)	GH-DA GH-DP	1 1	1 1	1 1	1 1	1 1	1 1		1 1
(3)	GH-SW GF-4P	1 1	2 2	3 3	4 4	5 5	6 6		— —
(4)	GF-2F GF-2B	— —	2 2	— —	— —	— —	— —		2 2
(5)	GF-3F GF-3B	1 1	— —	2 2	2 2	3 3	3 3		— —
(6)	GF-BP GH-AD GF-AP	— — —	— — —	— 1 —	— — —	1 1 —	1 — —		— — —
(7)	GH-NS GF-NSP GH-10K GF-10KP	— — — —	— — — —	— — — —	— — — —	— — — —	— — — —		1 1 1 1

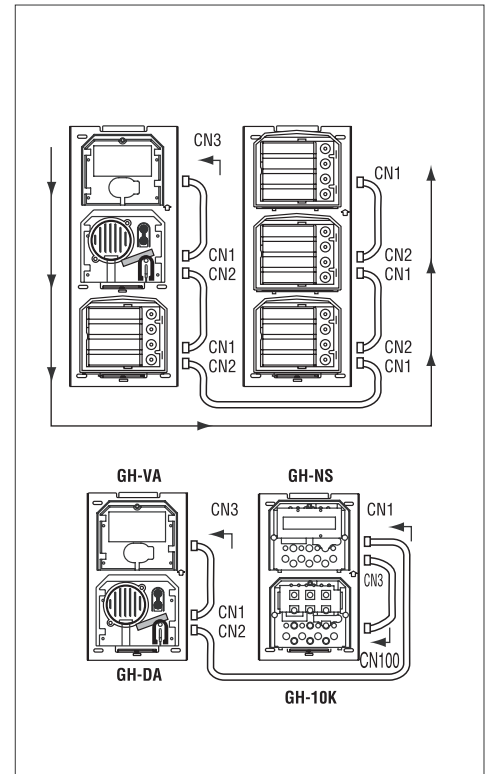
(1) Camera (2) Audio (3) Call switch (4) 2-module Front frame (5) 3-module Front frame (6) Option (7) Digital name scroll

Mounting

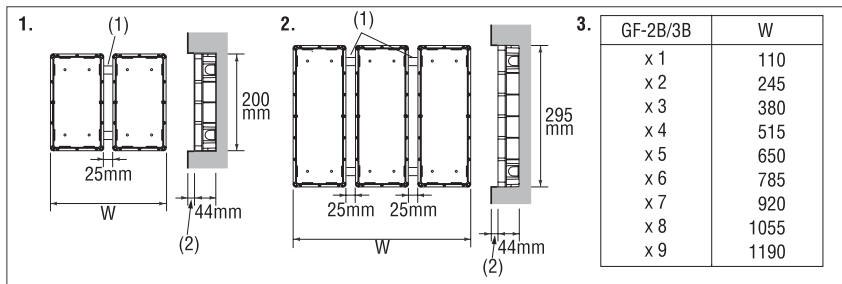


(1) Tamper-proof screw & screwdriver (supplied with GH-BC) (2) Module-mounting bracket (supplied with GF-3F) (3) Internal wiring connector (4) Joint pipe(x2) (5) Cut out openings in advance.

Interconnecting Modules with Plug-in Connectors



Back box



1. Two 2-module back boxes 2. Three 3-module back boxes 3. Back box total width (mm)

(1) Joint pipe(x2) (2) Do not recess back box more than 15mm.

Adjust camera angle

